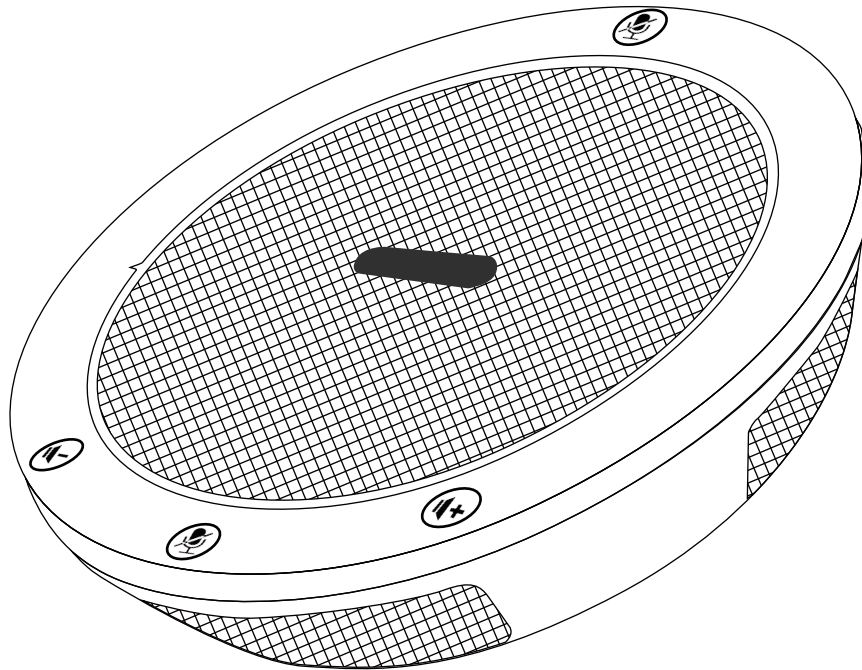


CONFERENCE SPEAKERPHONE CS11U



USER MANUAL

V1.0 (20200909)

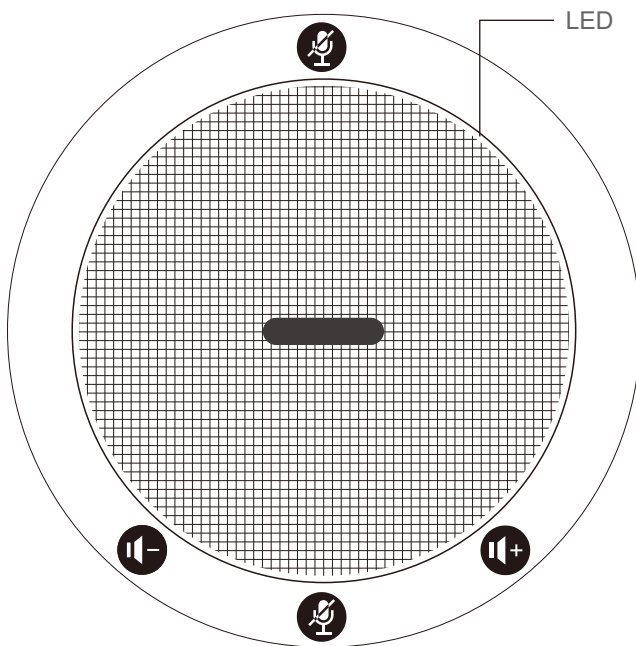
CATALOGUE

1. CS11U User Manual.....	2
2. Accessories List	3
3. Application Range.....	4
4. Advantages	4
5. Enjoy crisp, clear audio.....	4




1. CS11U User Manual

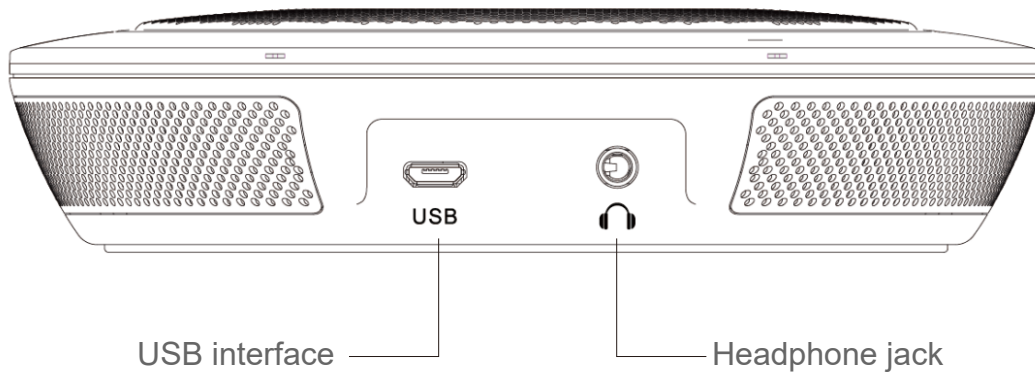
Personal/Group Speaker Phone

Speaker phone for individual, small group use. The CS11U connect to Pcs for rich, full-duplex audio communications and can be used with VoIP softphones, Web collaboration, instant messaging and any other app lications requiring two-way audio via USB. A perfect addition to the office or conference room for greatly enhanced collaboration.

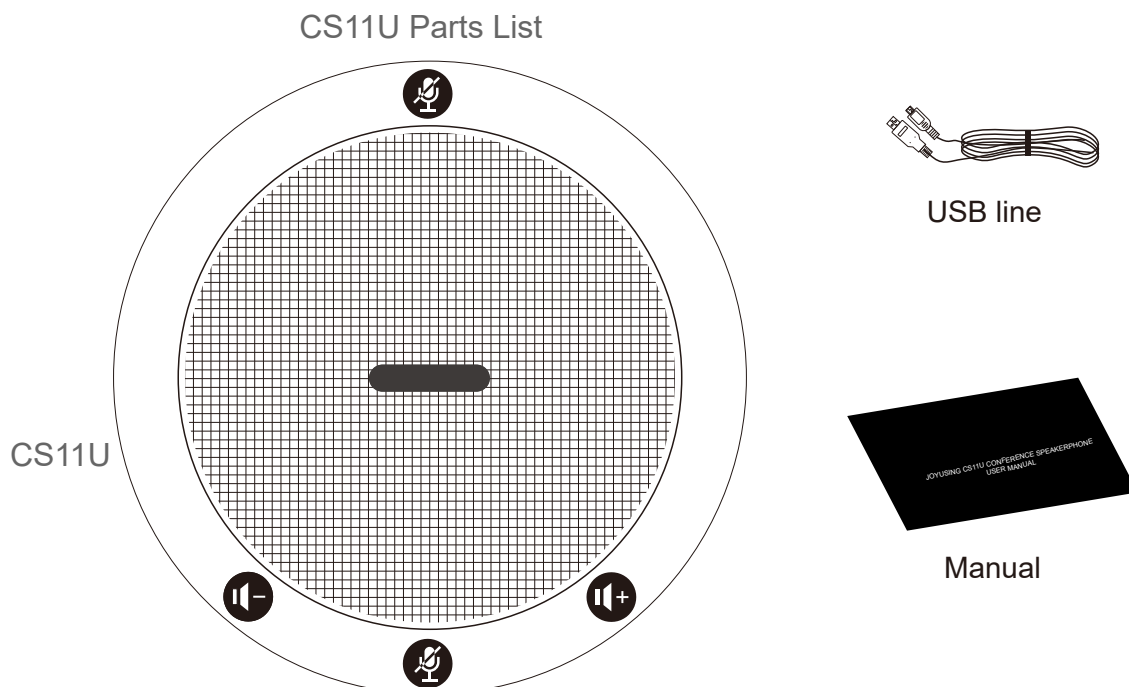


CS11U Keypad:

-  Microphone mute
-  Volume up
-  Volume down



2. Accessories List



3. Application Range

Web Conferencing

- IBM Workplace
- Microsoft Live Meeting, WebEx VoIP Softphones
- Avaya, Cisco, Nortel, Mirial Internet Telephony
- Google Talk, Skype, Lync, Vonage Instant Messenger
- QQ, AOL, MSN, Yahoo

4. Advantages

Enable full-duplex speaker phone capabilities on PCs or laptops

> Connect the CS11U to laptops & PCs via USB for hands-free audio for:

- VoIP softphones
- Instant Messaging audio chats
- Web conferences, Web video conferencing

5. Enjoy crisp, clear audio

> Advanced HD-Voice audio processing technologies deliver remarkably rich, full audio for natural, effortless conversations:

- True full duplex performance allows user to listen and speak at the same time without audio cutting in and out
- Distributed Echo Cancellation
- Noise cancellation
- Advanced automatic level management

> Built-in microphone provide full 360-degree coverage up to 8 feet from device.